

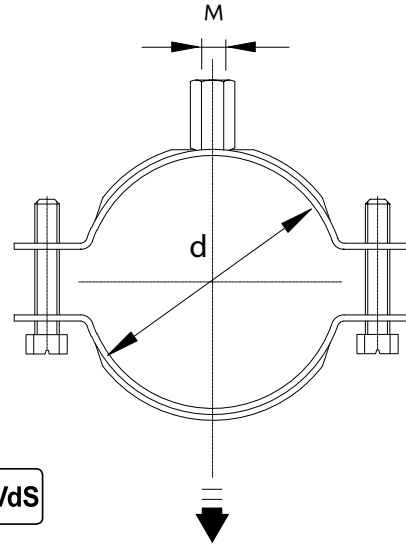


## Pipe Clamp without Insulation

### HDPC

#### Technical Features

- **Sizes (Pipe Accomodation Diameter):** 22mm through 146mm
- **Hanger Thread Size :** For diameters from 22mm to 65mm M8/M10 Combination Boss. For diameters from 76mm to 116mm M10/M12 Combination Boss. For diameters from 140mm to 146mm M12/M16 Combination Boss. For
- **Closure Cylinder Head Screw Sizes :** M6x20 to M8x25
- **Materials :**  
Profile: Carbon steel
- **Finish :** Electro Zinc Plated
- **Approvals :** 3/4" - 10" VdS and 3/4" - 6" FM



### Pipe Clamp without Insulation - HDPC

#### Physical Data

Reference	Approvals	Nominal Pipe Size		M	d (mm)		Box Qty.	Weight (x1) (kg / lbs)
		metric (DN)	inch					
577003	VdS / FM	DN20	3/4"	M8/M10	25-30	2000	50	0,05 / 0.12
577004	VdS / FM	DN25	1/2"	M8/M10	31-35	2000	50	0,05 / 0.12
577006	VdS / FM	DN32	1 1/4"	M8/M10	40-45	2000	50	0,05 / 0.12
577007	VdS / FM	DN40	1 1/2"	M8/M10	48-53	2000	50	0,07 / 0.15
577009	VdS / FM	DN50	2"	M8/M10	60-65	2000	50	0,08 / 0.18
577011	VdS / FM	DN65	2 1/2"	M10/M12	76-81	3500	25	0,08 / 0.18
577013	VdS / FM	DN80	3"	M10/M12	88-94	3500	25	0,09 / 0.20
577016	VdS / FM	DN100	4"	M10/M12	110-116	3500	25	0,09 / 0.20
577020	VdS / FM	DN125	5"	M12/M16	140-146	5000	10	0,13 / 0.29
577023	VdS / FM	DN150	6"	M12/M16	140-146	5000	10	0,17 / 0.38
577028	VdS	DN200	8"	M12/M16	219-226	8500	1	0,17 / 0.38
577032	VdS	DN250	10"	M12/M20	267-273	10000	1	0,17 / 0.38